

Product Information

**Flow Indicator
 WO1-...GM / K**



- No moving parts internally
- Internal wiper provides ability to clean the glass without removing the device.
- Installation location as desired
- For heavily soiled or coloured fluids
- 360 ° visibility

Characteristics

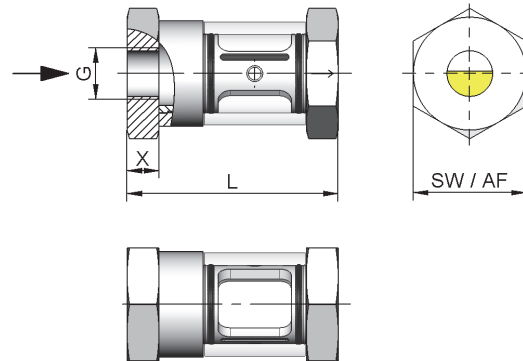
Devices made from solid brass or stainless steel, where the medium can be visually examined through the sight glass (fluid level, colour, bubbles, ...). A wiper makes it possible to clean the sight glass.

Technical data

Nominal width	DN 8..40	
Process connection	female thread G 1/4..G 1 1/2	
Q_{max.}	G 1/4 - 15 l/min G 3/8 - 20 l/min G 1/2 - 30 l/min G 3/4 - 60 l/min G 1 - 90 l/min G 1 1/4 - 150 l/min G 1 1/2 - 220 l/min	
Pressure resistance	PN 16 bar	
Medium temperature	0..+100 °C	
Ambient temperature	0..+70 °C	
Materials medium-contact	<i>Brass construction:</i> CW614N nickelled, borosilicate glass, NBR	<i>Stainless steel construction:</i> 1.4305, borosilicate glass, FKM
Medium	water, oils	
Weight	see table "Dimensions and weights"	
Installation location	as desired	

Dimensions and weights

G	Types	L	SW	X	Weight kg
G 1/4	WO1-008G.	71	36	9	0.3
G 3/8	WO1-010G.				
G 1/2	WO1-015G.	86	46	13	0.6
G 3/4	WO1-020G.	94		16	
G 1	WO1-025G.	104			
G 1 1/4	WO1-032G.	120	65	19	1.5
G 1 1/2	WO1-040G.	130		20	1.6



Ordering code

WO1 - 1. 2. 3.
 G

1. Nominal width	
008	DN 8 - G 1/4
010	DN 10 - G 3/8
015	DN 15 - G 1/2
020	DN 20 - G 3/4
025	DN 25 - G 1
032	DN 32 - G 1 1/4
040	DN 40 - G 1 1/2
2. Process connection	
G	female thread
3. Connection material	
M	brass
K	stainless steel

Options

- Wiper seal made from EPDM